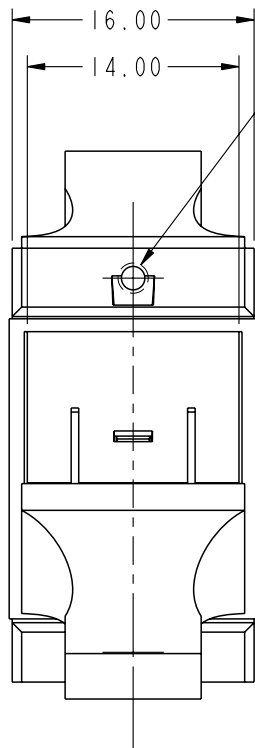


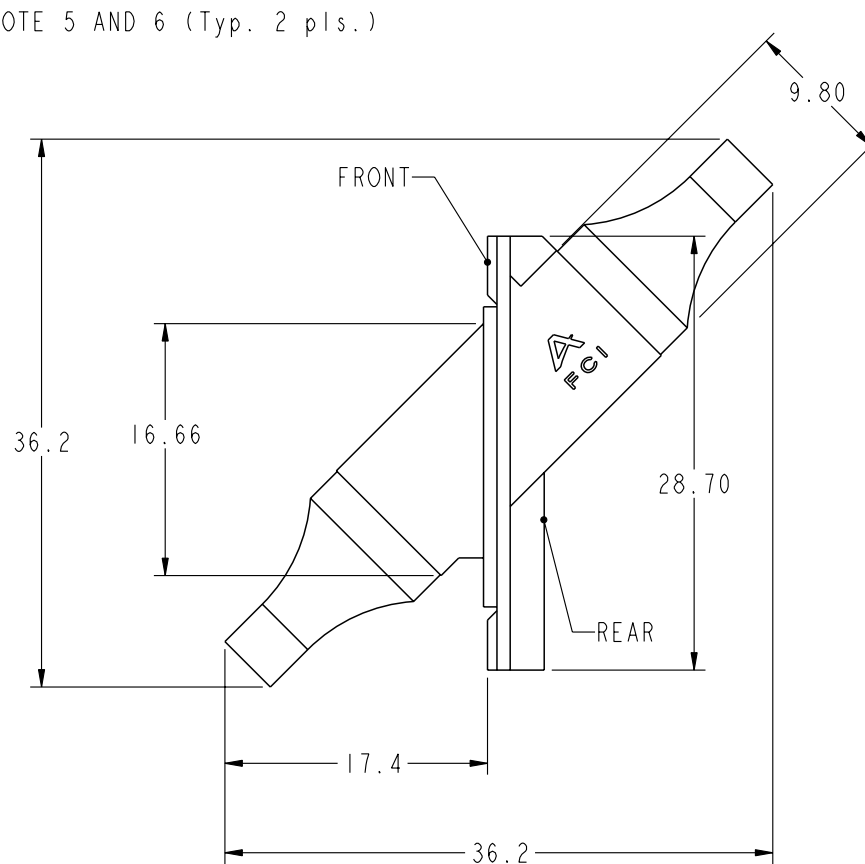
This document is the property of and embodies
 CONFIDENTIAL and PROPRIETARY information of FCI.
 No part of the information shown on this
 document may be used in any way or disclosed
 to others without the written consent of FCI.
 Copyright FCI.



PRODUCT NUMBER	STYLE
10009255-001	NO SHUTTER

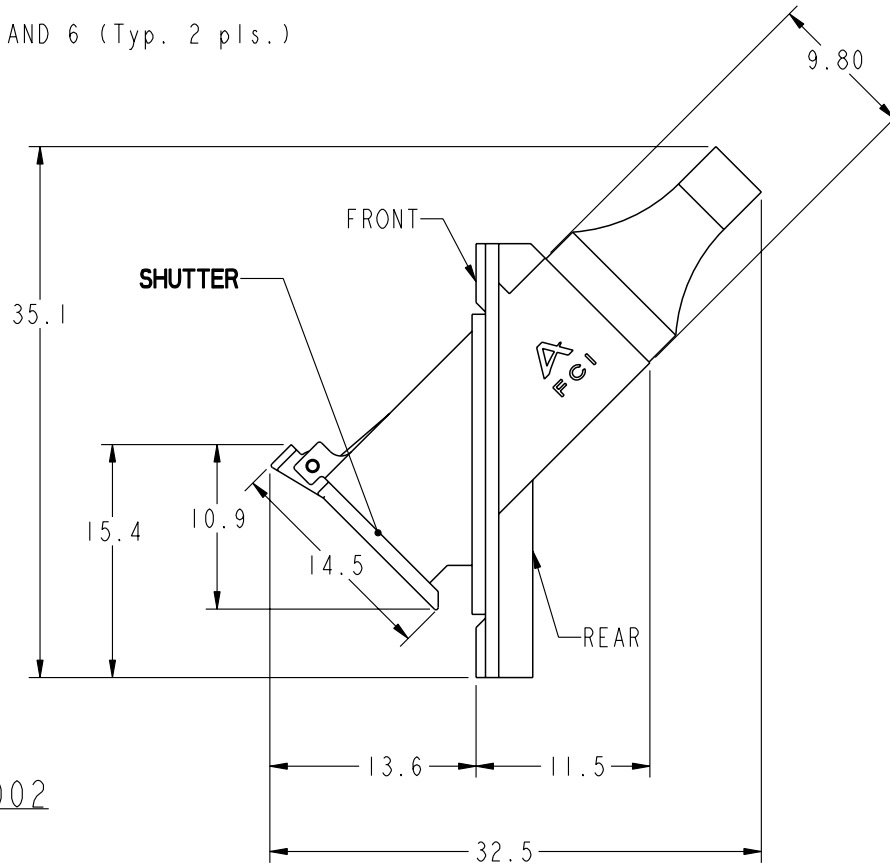
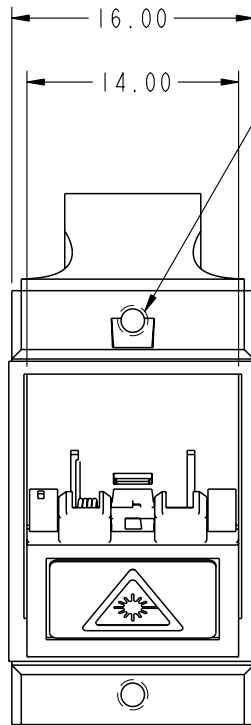


10009255-001



mat'l code				SEE NOTE 4		tolerances unless otherwise specified		CUSTOMER		FCI www.fciconnect.com	
ltr	ecm no.	dr	date	linear	0.X ±0.3		COPY		projection	title	
A	V21443	BKB	9/06/02		0.XX ±0.10		MM			45° MPO DIE CAST ADAPTER ASSEMBLY	
B	V03-0262	HN	05/20/03	angles	0.XXX ±0.050		scale		product family		
C	V05-0701	DAI	07/26/05		0° ±2°		2:1		FIBER OPTICS		
D	V06-0182	DAI	2006-05-12	dr	B. BAHN	6/13/02	size		code		
				enrg	B. TROSTLE	6/13/02	dwg no		213		
				chr	B. TROSTLE	6/13/02	A		10009255		
				appd	D. BUSH	6/13/02	sheet		1 of 5		
sheet index		revision sheet	D 1	D 2	D 3	D 4	D 5	cage code		22526	

PRODUCT NUMBER	STYLE
10009255-002	WITH SHUTTER

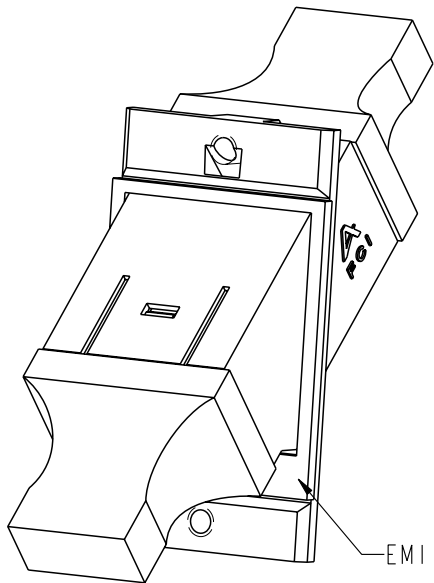


10009255-002

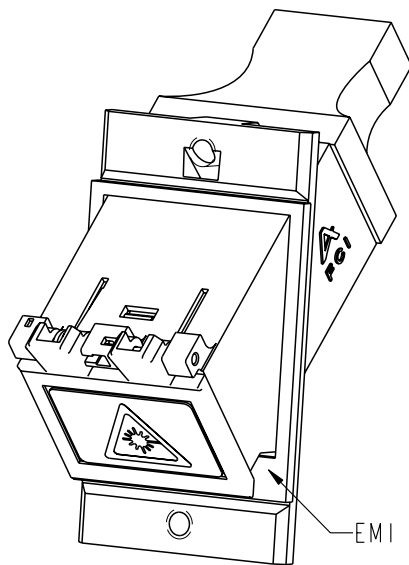
mat'l code		SEE NOTE 4		tolerances unless otherwise specified		CUSTOMER		FCI www.fciconnect.com	
ltr	ecr no.	dr	date	linear	0.X ±0.3	projection	title 45° MPO DIE CAST ADAPTER ASSEMBLY		
D					0.XX ±0.10		product family FIBER OPTICS code 213		
				angles	0.XXX ±0.050				
				dr	B. BAHN 6/13/02		size		sheet 2
				enr	B. TROSTLE 6/13/02		dwg no		2
				chr	B. TROSTLE 6/13/02		A		
				appd	D. BUSH 6/13/02		10009255		
sheet index	revision sheet					scale	2:1		

This document is the property of and embodies CONFIDENTIAL and PROPRIETARY information of FCI. No part of the information shown on this document may be used in any way or disclosed to others without the written consent of FCI. Copyright FCI.

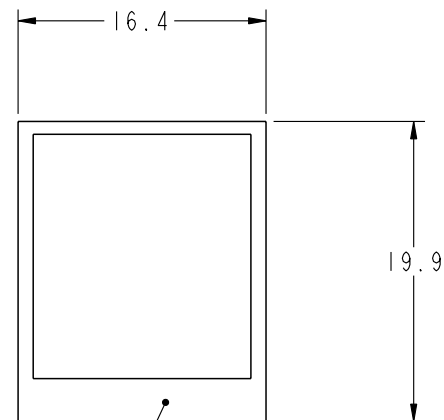
PRODUCT NUMBER	STYLE
10009255-001	NO SHUTTER
10009255-002	WITH SHUTTER


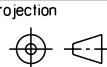
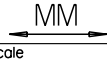


10009255-001



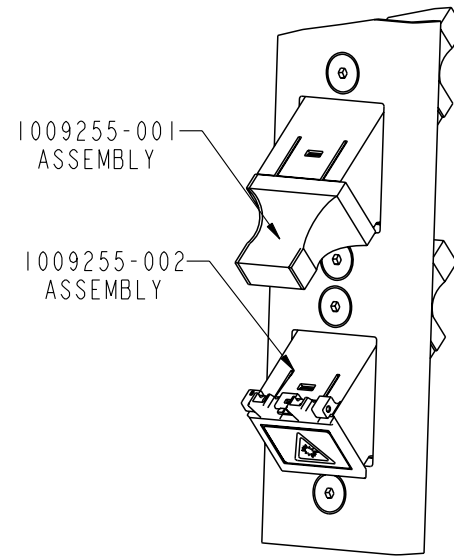
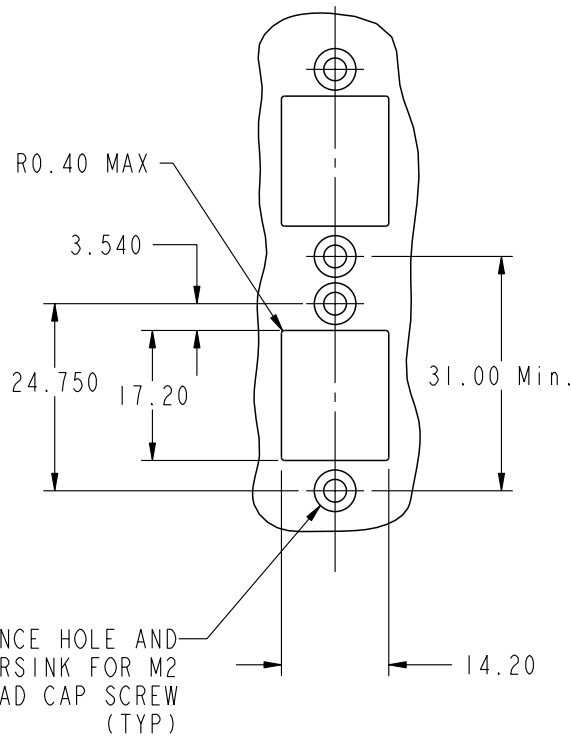
10009255-002




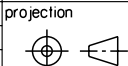

mat'l code				SEE NOTE 4		tolerances unless otherwise specified		CUSTOMER		 www.fciconnect.com	
ltr	ecn no.	dr	date	linear	0.X ±0.3		COPY		 title 45° MPO DIE CAST ADAPTER ASSEMBLY	product family FIBER OPTICS code	
D					0.XX ±0.10		MM			size	dwg no
				angles	0.XXX ±0.050		 scale 2:1		A	10009255	sheet 3
				dr	B. BAHN	6/13/02			cage code 22526		
				engr	B. TROSTLE	6/13/02					
				chr	B. TROSTLE	6/13/02					
				appd	D. BUSH	6/13/02					
sheet index	revision sheet										

This document is the property of and embodies CONFIDENTIAL and PROPRIETARY information of FCj. No part of the information shown on this document may be used in any way or disclosed to others without the written consent of FCj. Copyright FCj.

PRODUCT NUMBER	STYLE
10009255-001	NO SHUTTER
10009255-002	WITH SHUTTER



PANEL CUTOUT REFERENCE

mat'l code				SEE NOTE 4		tolerances unless otherwise specified		CUSTOMER		 www.fciconnect.com	
ltr	ecr no.	dr	date	linear	0.X ±0.3		COPY			title	
D					0.XX ±0.10		45° MPO DIE CAST ADAPTER ASSEMBLY				
					0.XXX ±0.050						
				angles	0° ±2°				product family		
				dr	B. BAHN	6/13/02	FIBER OPTICS		code		
				enr	B. TROSTLE	6/13/02	size		213		
				chr	B. TROSTLE	6/13/02	dwg no		sheet		
				appd	D. BUSH	6/13/02	A		4		
sheet index		revision sheet				scale		2:1		10009255	

This document is the property of and embodies CONFIDENTIAL and PROPRIETARY information of FCJ. No part of the information shown on this document may be used in any way or disclosed to others without the written consent of FCJ. Copyright FCJ.

PRODUCT NUMBER	STYLE
10009255-001	NO SHUTTER
10009255-002	WITH SHUTTER

NOTES:

- SEE SHEET 3 FOR EMI GASKET, SEE SHEET 4 FOR PANEL CUTOUT.
- PARTS SHOWN ASSEMBLED FOR REFERENCE ONLY.
- THICKNESS OF CUSTOMER SUPPLIED PANEL TO BE 1.2mm ±0.10.
- MATERIAL AND PLATING:
 ADAPTER - ZINC DIE CAST
 PLATING - BRIGHT NICKEL
 GASKET - CONDUCTIVE ELASTOMER, UL94 V-0
 SHUTTER - POLYCARBONATE, UL94 V-0
- REQUIRED MOUNTING HARDWARE:
 M2 X 4mm FLATHEAD CAP SCREW (QTY 2)
- RECOMMENDED SCREW TORQUE SETTING:
 24ozf-in (NOT TO EXCEED 32ozf-in)
- LF INDICATES PART NUMBER IS LEAD FREE. LEAD FREE PART NUMBERS MEET EUROPEAN UNION DIRECTIVES AND OTHER COUNTRY REGULATIONS AS DESCRIBED IN GS-22-008.
- PACKAGE ACCORDING TO GS-14-920 FOR LEAD FREE LABELING SPECIFICATIONS REQUIREMENTS.
- THIS PRODUCT IS NOT INTENDED TO BE EXPOSED TO MANUFACTURING SOLDER PROCESSES.

A


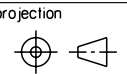
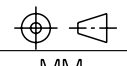
A



This document is the property of and embodies CONFIDENTIAL and PROPRIETARY information of FCI. No part of the information shown on this document may be used in any way or disclosed to others without the written consent of FCI. Copyright FCI.

B

B

mat'l code				SEE NOTE 4		tolerances unless otherwise specified		CUSTOMER		 www.fciconnect.com		
ltr	ecn no.	dr	date	linear	0.X ±0.3		COPY		 title 45° MPO DIE CAST ADAPTER ASSEMBLY	product family FIBER OPTICS		code
D					0.XX ±0.10		projection			size	dwg no	213
					0.XXX ±0.050		 angles 0° ±2°					
				dr	B. BAHN	6/13/02	MM		A	10009255	sheet 5	
				enr	B. TROSTLE	6/13/02	← MM →					
				chr	B. TROSTLE	6/13/02	scale					
				appd	D. BUSH	6/13/02	2:1					
sheet index	revision sheet											